

4

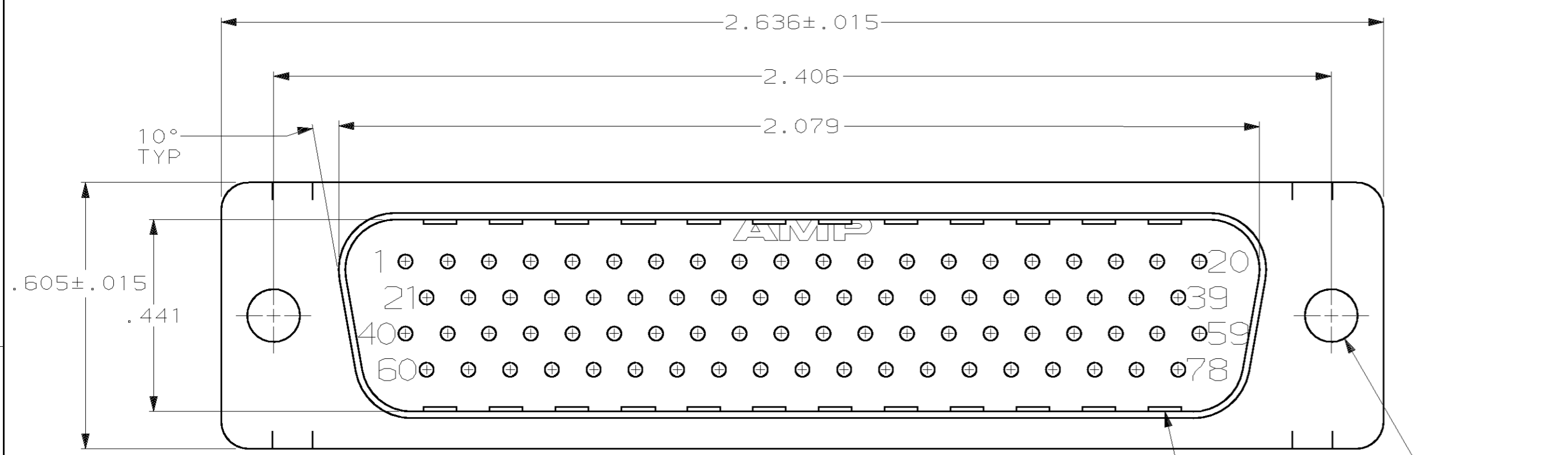
3

2

1

THIS DRAWING IS UNPUBLISHED. RELEASED FOR PUBLICATION  
 (C) COPYRIGHT 19 BY AMP INCORPORATED. ALL RIGHTS RESERVED.

LOC	DIST	REVISIONS					
GP	00	P	LTR	DESCRIPTION	DATE	DWN	APVD
		0		RELEASED PER EC 0513-0209-03	02JAN04	LB	5B

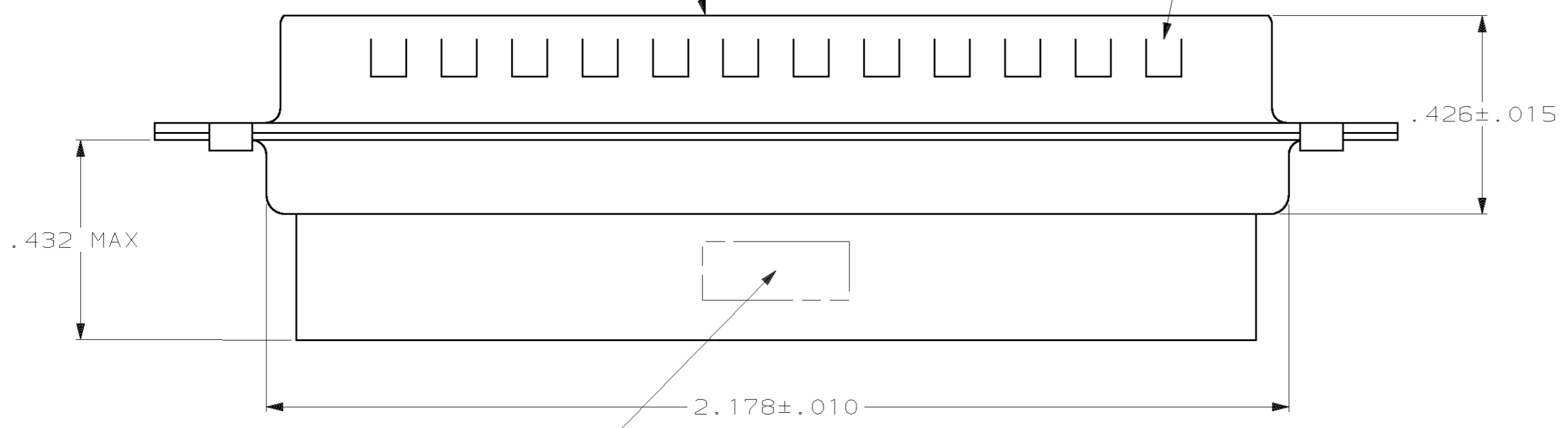


- CONNECTOR ACCEPTS 22 DF PIN CONTACTS, RETENTION TINES ARE AN INTEGRAL PART OF INSERT.
- FLAME RETARDANT 94V-0 RATED GLASS FILLED NYLON, COLOR: BLACK.
- CARBON STEEL.
- .000200 MIN. TIN PLATE OVER .000100 MIN. COPPER UNDERPLATE.

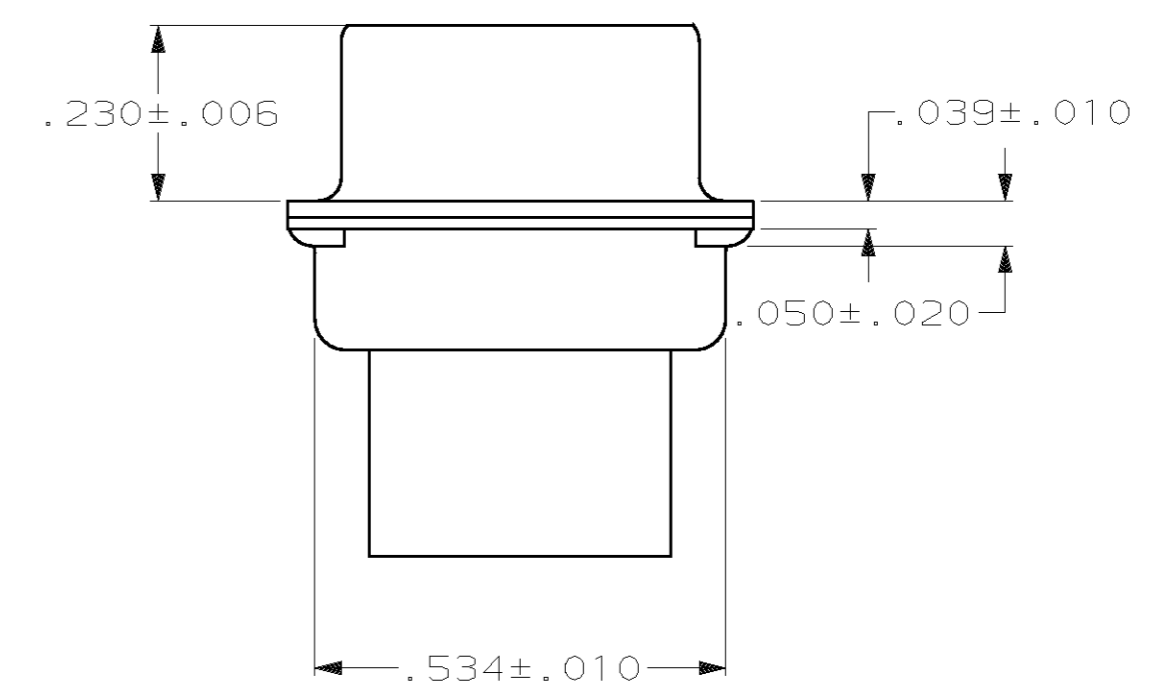
.120 DIA  
2 HOLES

GROUNDING INDENTS

MATING FACE



TYCO, PART NO & DATE CODE, MARKED IN AREA INDICATED, ON FAR SIDE



1658674-1  
PART NUMBER

THIS DRAWING IS A CONTROLLED DOCUMENT.		DWN L. BAUM 02JAN04	AMP Incorporated Harrisburg, PA 17105-3608	
DIMENSIONS: INCH		CHK S. BOLASH 02JAN04	NAME PLUG ASSEMBLY, SIZE 5, 78 POSN, HDP-22, AMPLIMITE®	
TOLERANCES UNLESS OTHERWISE SPECIFIED:		APVD M. WALMSLEY 02JAN04	PRODUCT SPEC 108-1268	
0 PLC ±-		APPLICATION SPEC 114-10001		
1 PLC ±-		SIZE A2		
2 PLC ±-		CAGE CODE 00779		
3 PLC ±.005		DRAWING NO 1658674		
4 PLC ±-		RESTRICTED TO -		
ANGLES ±2°		SCALE 4:1		
MATERIAL MOLDED PARTS: $\Delta$	FINISH SHELLS: $\Delta$	SHEET 1 OF 1		
SHELLS: $\Delta$	CUSTOMER DRAWING	REV 0		